

THIS DRAWING IS UNPUBLISHED.

RELEASED FOR PUBLICATION

20

© COPYRIGHT 20

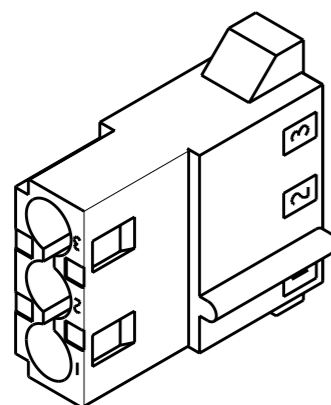
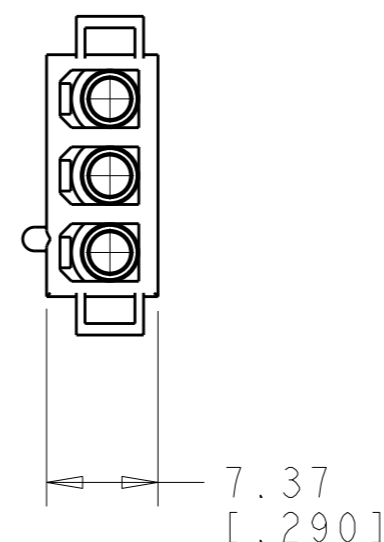
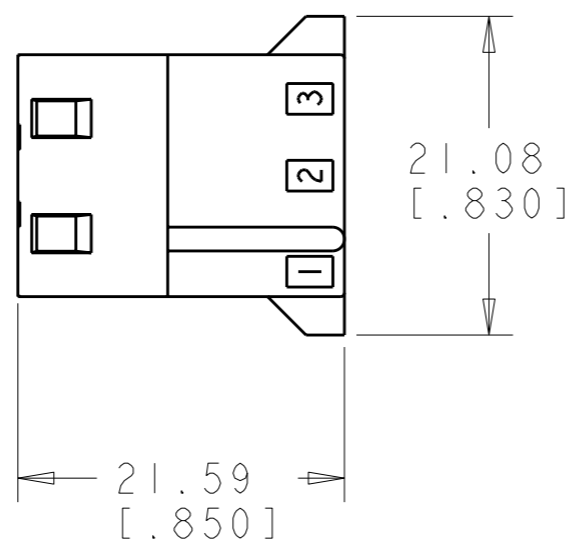
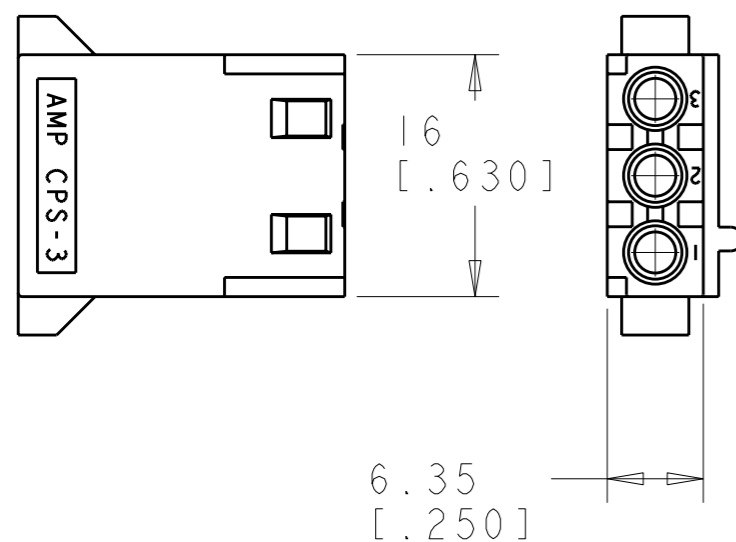
ALL RIGHTS RESERVED.

LOC	DIST
CM	00

REVISIONS

P	LTR	DESCRIPTION	DATE	DWN	APVD
	TI	REVISED PER ECO-11-004587	06APR2011	RK	HMR

1. THIS PLUG TO BE USED WITH CAP 480305.
2. TO BE USED WITH APPROPRIATE COMMERCIAL MATE-N-LOK™ SOCKETS.

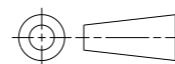


NYLON	BLACK	1-480303-9
NYLON	RED	1-480303-2
NYLON	NATURAL	1-480303-0
MATERIAL	COLOR	PART NO

METRIC

THIS DRAWING IS A CONTROLLED DOCUMENT.

DIMENSIONS:
mm [INCHES]



TOLERANCES UNLESS OTHERWISE SPECIFIED:

0 PLC	±-
1 PLC	±-
2 PLC	±0.13 [.005]
3 PLC	±-
4 PLC	±-
ANGLES	±0° 30'
FINISH	-

MATERIAL SEE TABLE

DWN	23APR2002
CHK	23APR2002
APVD	23APR2002

PRODUCT SPEC	-
APPLICATION SPEC	-
WEIGHT	-

CUSTOMER DRAWING



TE Connectivity

NAME			
3 CIRCUIT MATE-N-LOK™ PLUG			
SIZE	CAGE CODE	DRAWING NO	RESTRICTED TO
A3	00779	C-480303	-
SCALE	SHEET	OF	REV
2:1	1	1	TI